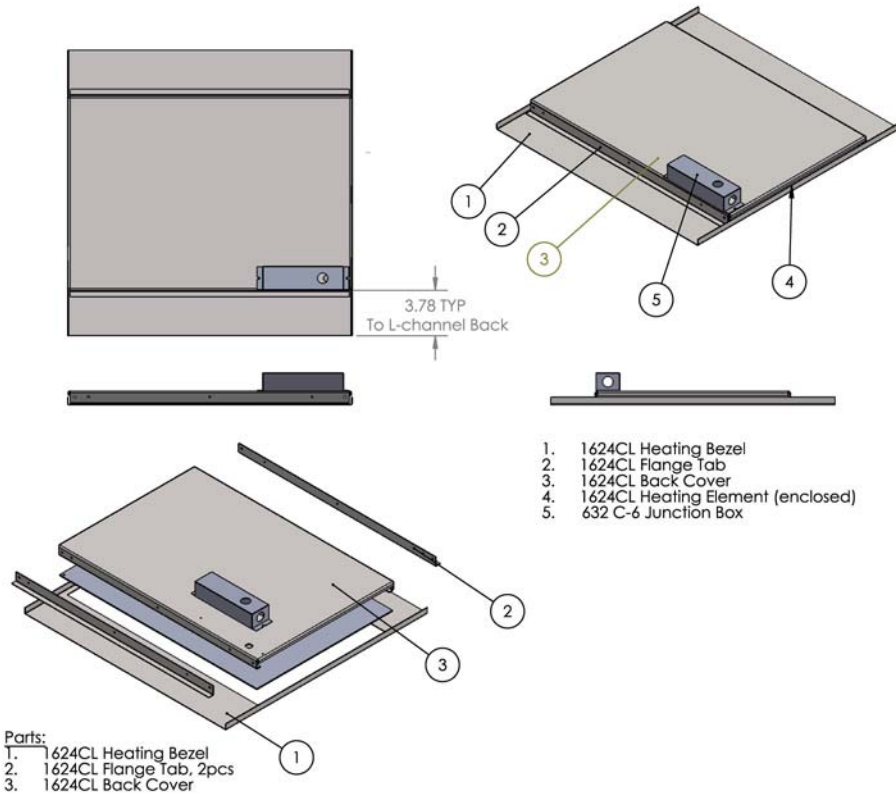


# PARTS



# MODELS

Wall Model	Watts	L	W	D
1624CL	625	24.0"	24.0"	1.0"



# DROP-IN CEILING PANEL

## OPERATION MANUAL



ELECTRIC HEAT

N112 W14600 Mequon Road  
Germantown, WI 53022  
1-800-774-4450  
[www.electricheat.com](http://www.electricheat.com)

Made in the USA

11/2011

# SAFETY AND INSTRUCTIONS

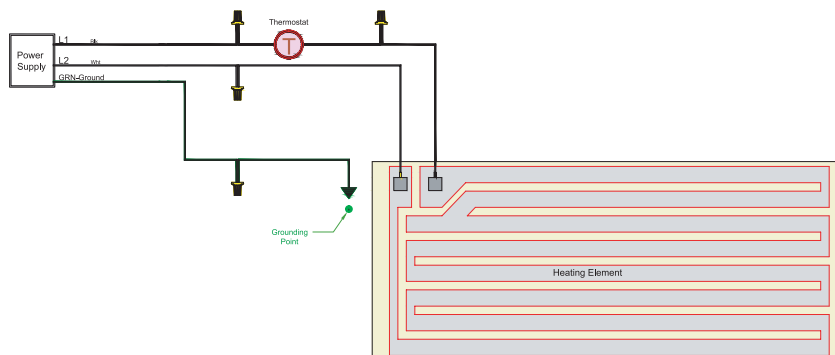
## IMPORTANT INSTRUCTIONS

When using electrical appliances, basic precautions should always be followed to reduce the risk of fire, electric shock, and injury to persons, including the following:

1. Read all instructions before using this heater.
2. This heater is hot when in use. To avoid burns, do not let bare skin touch hot surfaces. Keep combustible materials, such as furniture, pillows, bedding, papers, clothes, etc. and curtains at least 3 feet (0.9 m) from the front of the heater and keep them away from the sides and rear.
3. Extreme caution is necessary when any heater is used by or near children or invalids and whenever the heater is left operating and unattended.
4. Do not operate any heater after it malfunctions. Disconnect power at service panel and have heater inspected by a reputable electrician before reusing.
5. Do not use outdoors.
6. To disconnect heater, turn controls to off, and turn off power to heater circuit at main disconnect panel.
7. Do not insert or allow foreign objects to enter any ventilation or exhaust opening as this may cause an electric shock or fire, or damage the heater.
8. To prevent a possible fire, do not block air intakes or exhaust in any manner.
9. A heater has hot and arcing or sparking parts inside. Do not use it in areas where gasoline, paint, or flammable vapors or liquids are used or stored.
10. Use this heater only as described in this manual. Any other use not recommended by the manufacturer may cause fire, electric shock, or injury to persons.

## SAVE THESE INSTRUCTIONS

## WIRING DIAGRAM



# OPERATING AND MAINTENANCE

## MAINTENANCE INSTRUCTIONS

Maintenance of your CeramiCircuit™ heater is not needed, though you may want to clean it as necessary. The user can perform cleaning. All other servicing is to be done by qualified service personnel.

1. Turn off the power at the circuit breaker panel
2. Wait for the heating element to cool.
3. Clean area with a dry cloth.
4. Restore power.

## OPERATING INSTRUCTIONS

1. Heater must be properly installed before it is used.
2. Refer to the thermostat or controller's operating instructions for proper usage.

## INSTALLATION INSTRUCTIONS

Heaters are hard wired directly to the electrical main. Junction boxes are not required except as indicated by local code or inspection requirements. Wiring procedures and connections should be in accordance with the National Electric Code (NEC) and local codes. Connection box is 4.62 in<sup>3</sup> (75.69 cm<sup>3</sup>).

To reduce the risk of fire, do not store or use gasoline or other flammable vapors and liquids in the vicinity of the heater. **CAUTION** - High temperature. Keep electrical cords, drapes, and other furnishings away from heater.

Grounding is required for each heater. Remove all construction debris (plaster, sawdust, etc) from interior and exterior of the heater. Do not install heaters against combustible low density cellulose fiberboard surfaces. Heaters are not to be placed below an electrical convenience receptacle. Install heater at least 6 inches (15.24 cm) from drapes.

1. Remove all packing material.
2. Place heater assembly in suspension grid.
3. Secure according to local building and electrical codes.
4. Attach grounding wire to ground screw on the flange tab.
5. Connect mains to heater lead wires.
6. Check tightness of all electrical connections. Inspect all connections for short circuits.