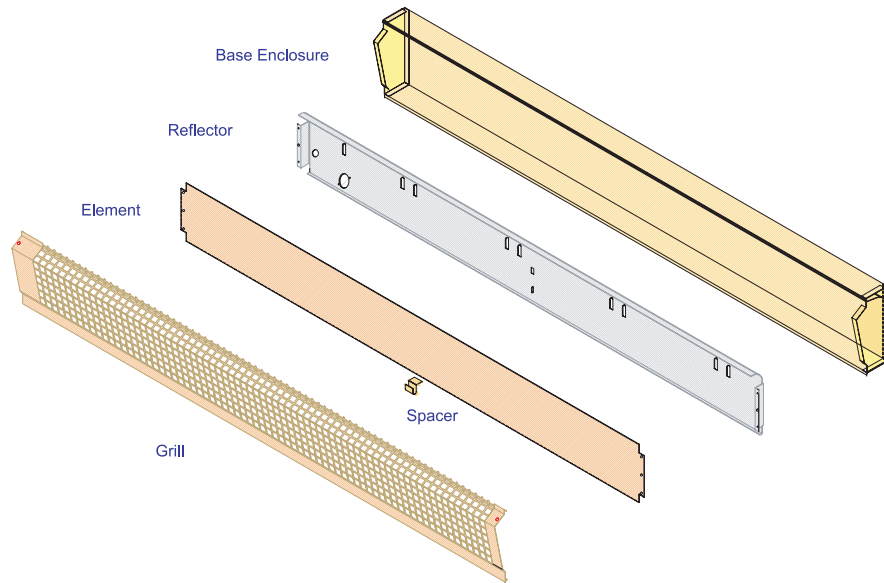


PARTS



BASEBOARD MOUNTING

OPERATION MANUAL



MODELS

Baseboard Model	Watts	L	H	W
527B	400	30.87"	6.75"	3.125"
545B	650	48"	6.75"	3.125"



ELECTRIC HEAT

N112 W14600 Mequon Road
Germantown, WI 53022
1-800-774-4450
www.electriceat.com

SAFETY AND INSTRUCTIONS

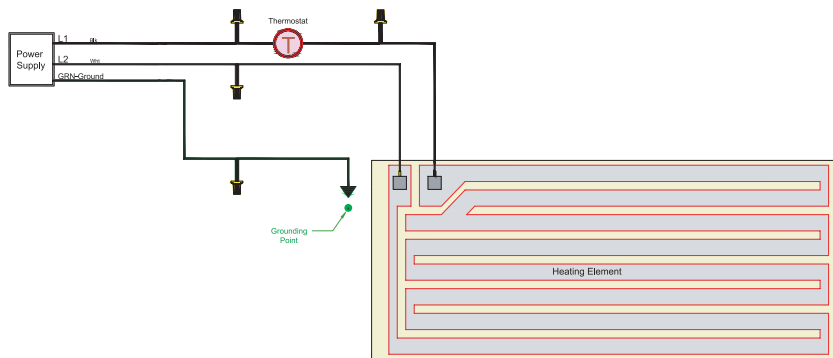
IMPORTANT INSTRUCTIONS

When using electrical appliances, basic precautions should always be followed to reduce the risk of fire, electric shock, and injury to persons, including the following:

1. Read all instructions before using this heater.
2. A heater has hot and arcing or sparking parts inside. Do not use it in areas where gasoline, paint, or flammable liquids are used or stored.
3. This heater is hot when in use. To avoid burns, do not let bare skin touch hot surfaces. Keep combustible materials, such as furniture, pillows, bedding, papers, clothes, and curtains away from heater.
4. Do not use on soft surfaces, like a bed, where openings may become blocked.
5. Do not insert or allow foreign objects to enter any openings as this may cause an electric shock or fire, or damage to the heater.

SAVE THESE INSTRUCTIONS

WIRING DIAGRAM



MAINTENANCE INSTRUCTIONS

Maintenance Instructions

Maintenance of your CeramiCircuit™ heater is not needed, though you may want to clean it as necessary.

1. Turn off the power at the circuit breaker panel
2. Wait for the heating element to cool.
3. Remove grill.
4. Clean area with a dry cloth.
5. Replace grill.
6. Restore power.

OPERATING INSTRUCTIONS

Operating Instructions

1. Heater must be properly installed before it is used.
2. Refer to the thermostat's operating instructions for proper usage.

INSTALLATION INSTRUCTIONS

Heaters are hard wired directly to the electrical main. Junction boxes are not required except as indicated by local code or inspection requirements. Wiring procedures and connections should be in accordance with the National Electric Code (NEC) and local codes.

To reduce the risk of fire, do not store or use gasoline or other flammable vapors and liquids in the vicinity of the heater. Install on studs or finished wall. Height from rough floor to bottom of heater must be a minimum of 1-1/2 inches (3/4 inches from finished).

CAUTION - High temperature. Keep electrical cords, drapes, and other furnishings away from heater.

Grounding is required for each heater. Remove all construction debris (plaster, sawdust, etc) from interior and exterior of the heater. Do not install heaters against combustible low density cellulose fiberboard surfaces. Heaters are not to be placed below an electrical convenience receptacle. Install heater at least 6 inches below drapes.

1. Remove all packing material.
2. Remove grill cover from unit.
3. Remove heating element by removing *only the center screws* from the left and right sides. Note; use caution when handling the heating element so the electrical circuit is not scratched, or the soldered wire leads are not damaged.
4. Knockout hole for wire and insert wire clamp.
5. Locate the unit on the wall and level. The unit can be secured by screws direct into wall studs or into dry wall using suitable wall anchors.
6. Fish wire through clamp and make connections per diagram. Again, use caution in handling the element to avoid damaging the heater circuit.
7. After wire connections are complete and secure, re-fasten the heating element with the two screws removed in step 3. Be sure the wires are not being pinched while re-installing the element.
8. Replace grill.