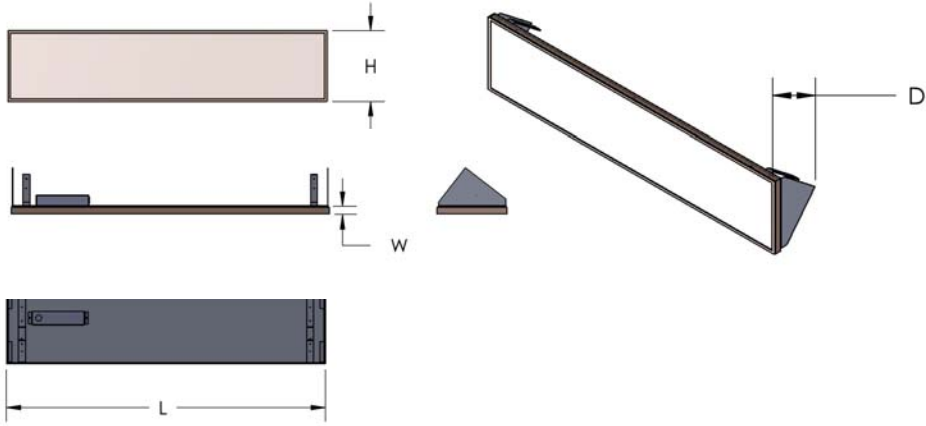
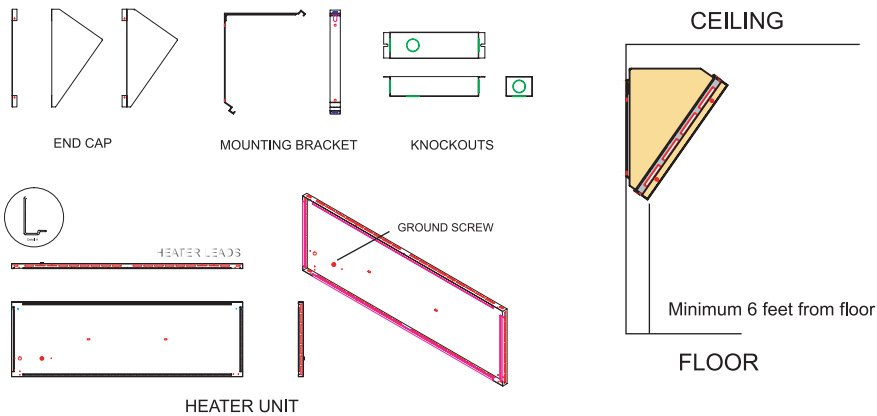


# RENDERING



# PARTS



# MODELS

Cove Model	Watts	L	H	W	D
632C	585	33"	7"	1.125"	5.5"
645C	825	46"	7"	1.125"	5.5"
945C	1000	46"	10"	1.125"	7.5"
1445C	1500	46"	15"	1.125"	10"



# COVE MOUNTING

OPERATION MANUAL



# RAD ANT

ELECTRIC HEAT

N112 W14600 Mequon Road  
 Germantown, WI 53022  
 1-800-774-4450  
[www.electricheat.com](http://www.electricheat.com)



11/2011

# SAFETY AND INSTRUCTIONS

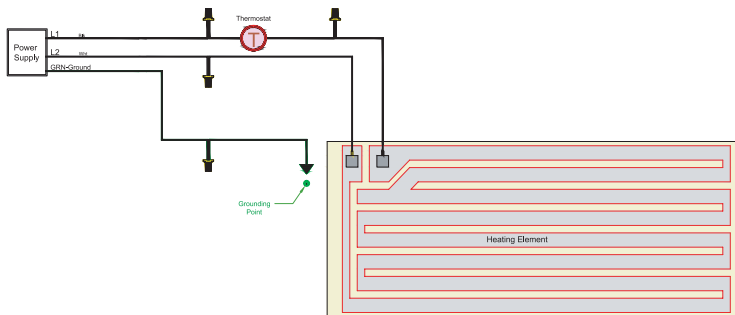
## IMPORTANT INSTRUCTIONS

When using electrical appliances, basic precautions should always be followed to reduce the risk of fire, electric shock, and injury to persons, including the following:

1. Read all instructions before using the heater
2. This heater is hot when in use. To avoid burns, do not let bare skin touch hot surfaces. Keep combustible materials, such as furniture, pillow, bedding, papers, clothes, etc. and curtains at least 3 feet (0.9 m) from the front of the heater.
3. Extreme caution is necessary when any heater is used by or near children or invalids and whenever the heater is left operating and unattended.
4. Do not operate any heater after is malfunctions. Disconnect power at service panel and have heater inspected by a reputable electrician before using.
5. Do not use outdoors.
6. To disconnect heater, turn controls to off, and turn off power to heater circuit at main disconnect panel.
7. Do not insert or allow foreign objects to enter any ventilation or exhaust opening as this may cause an electric shock or fire, or damage the heater.
8. To prevent a possible fire, do not block air intakes or exhaust in any manner.
9. A heater has hot and arcing or sparking parts inside. Do not use it in areas where gasoline, paint, or flammable vapors or liquids are used or stored.
10. Use this heater only as described in this manual. Any other use not recommended by the manufacturer may cause fire, electric shock, or injury to persons.

## SAVE THESE INSTRUCTIONS

### WIRING DIAGRAM



## OPERATING INSTRUCTIONS

1. Heater must be properly installed before it is used.
2. Refer to the thermostat's operating instructions for proper usage.

# MAINTENANCE INSTRUCTIONS

Maintenance of your CeramiCircuit™ heater is not needed, though you may want to clean it as necessary.

1. Turn off power at the circuit breaker panel
2. Wait for the heating element to cool.
3. Clean the area with a dry cloth.
4. Restore power.

## INSTALLATION INSTRUCTIONS

### Common Sense Warning—Use Appropriate Safety Precautions

Heaters are not to be placed below an electrical convenience receptacle. Heaters produce high temperatures. Keep electrical cords, drapes, and other furnishings away from heaters. Do not store gasoline or flammable solvents in the vicinity of these heaters.

### Installation Warnings

For supply connections use wires suitable for at least 194° F (90° C). Grounding is required for each heater. Remove all construction debris (plaster, sawdust, etc.) from interior and exterior of the heater. Do not install heaters against paperboard or low density surfaces.

### Mounting Instructions

Heaters are hard wired directly to the electrical main. Junction boxes are not required except as indicated by local code or inspection requirements. Install on studs or finished wall. Do not install less than 6 feet (1.8 m) from the floor and closer than 6 inches (152.4 mm) from vertical or horizontal surfaces.

1. Locate and level mounting brackets on studs or finished wall, taking into account the minimum clearances from vertical and horizontal surfaces.
2. Lay heating unit face down on a solid and protective surface to prevent scratching. Remove wire channel from rear of heater. Determine which raceway knockout will be used for electrical mains, knock plug out, run mains through hole and make connections according to code.
3. Hang the bottom edge of the heater on the bottom ends of the mounting brackets using the narrow slots in the edge of the heater. Do not use the wide slots for mounting.
4. Thread the electrical mains through the clamp in the raceway.
5. Attached the grounding wire to ground screw inside the raceway.
6. Connect mains to heater lead wires. Connect ground wire to threaded grounding screw. Check tightness of all electrical connections and wire nuts. Inspect all connections for short circuit.
7. Reattach raceway channel to rear of heater.
8. Attach end caps to heater.
9. Swing heater up and gently snap the top flanges into the top edge of the heater.
10. Fasten heater to brackets by driving screw through the pre-drilled holes.