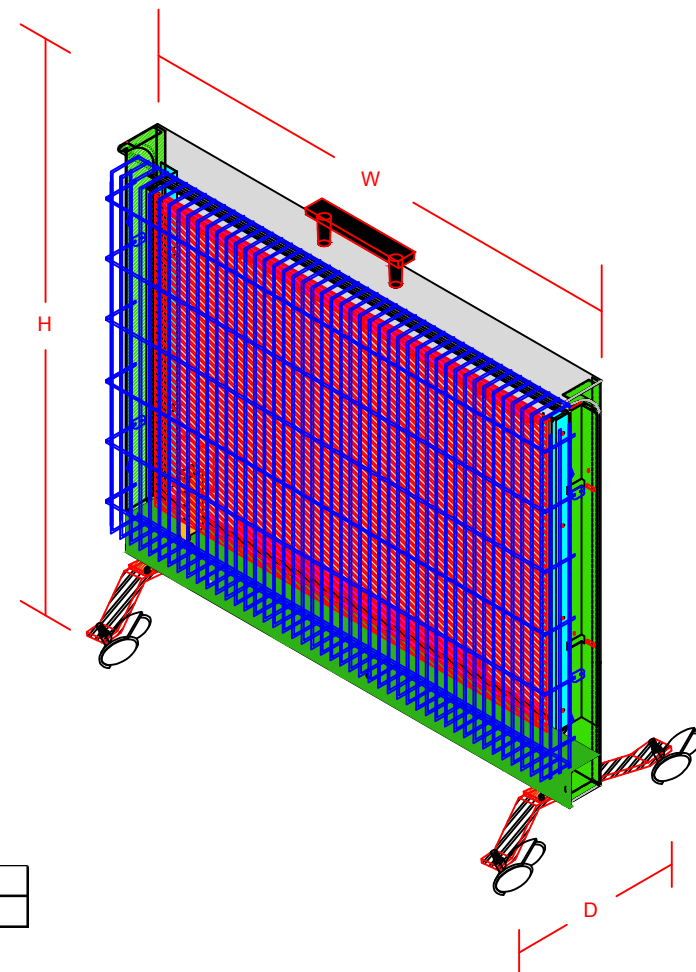


Model	Watts	W	H	D
1624P	1000	26-1/2"	26-7/8"	13-1/2"



PROPRIETARY AND CONFIDENTIAL
 THE INFORMATION CONTAINED IN THIS DRAWING IS THE SOLE PROPERTY OF RADIANT ELECTRIC HEAT. ANY REPRODUCTION IN PART OR AS A WHOLE WITHOUT THE WRITTEN PERMISSION OF RADIANT ELECTRIC HEAT IS PROHIBITED.



UNLESS OTHERWISE SPECIFIED:		NAME	DATE
DIMENSIONS ARE IN INCHES		DRAWN	HJH 7-18-2011
TOLERANCES:		CHECKED	-
FRACTIONAL ± .010/-010		ENG APPR.	
ANGULAR: MACH ± BEND ±		MFG APPR.	
TWO PLACE DECIMAL ±		Q.A.	
THREE PLACE DECIMAL ±		COMMENTS:	
INTERPRET GEOMETRIC TOLERANCE PER:			
MATERIAL			
FINISH			
DO NOT SCALE DRAWING			

Radiant Electric Heat		
DESCR: 1624 Portable Cut Sheet		
SIZE	PART NO.	REV
A	1624P Cut Sheet	B
SCALE: NA	SHEET 1 OF 1	